

## Features

- Through-hole unit
- Isolation voltage of 20000 Vrms
- Low interwinding capacity
- Lead free version available (see How to Order)
- Lead free versions are RoHS compliant\*

## Applications

- Telecom

# PT66011A - ISDN S-Interface Transformer Module

### Electrical Specifications @ 25 °C

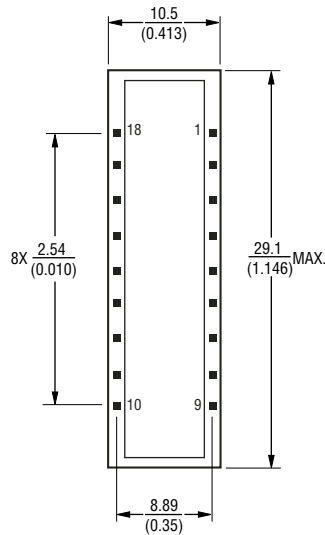
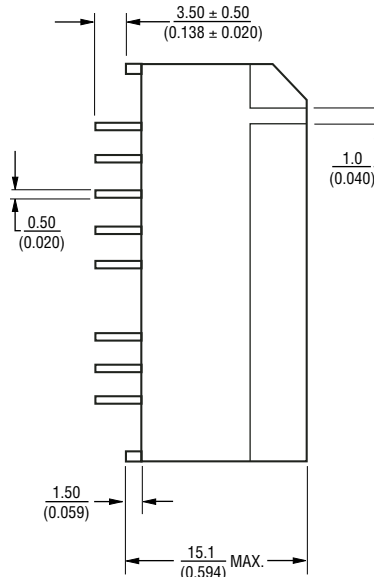
Turns Ratio ±1 % (III+IV:I+II)	.....see schematic
Impedance at 20 kHz 100 mV with IDC=3.6 mA (core 1,2)	ohm min.....625
OCL at 10 kHz 100 mV(mH min)	Transformer I+II (core 1,2).....22
Choke V,VI,VII, VIII +50/-30 %	.....5
Interwinding Capacity (10 kHz 100 mV)	Cww (pF max) (core 1,2) .....150
Leakage Inductance (10 kHz 100 mV)	Ls (uH)
Ls I+II (III+IV shorted) core 1,2	.....<0.6
Ls V( IV,VI,VII shorted) core 3	.....< 0.6
HIPOT 50 Hz for 2 sec. (Vrms)	I/II (core 1+2) to III/IV (core 1+2) ..2000
V/VI (core 3) to III/IV (core 1) to	VII+VIII (core 3) + III/IV (core 2) .....500
DCR III=IV (ohm Max)	.....2.65
DCR I+II (ohm max)	.....1.4
DCR V,VI,VII, VIII (ohm max)	.....1.1
Operating Temperature (°C)	.....0 to +70

Other OCL specifications available on request.

### Packaging Specifications

Tube .....15 pcs./tube

### Product Dimensions

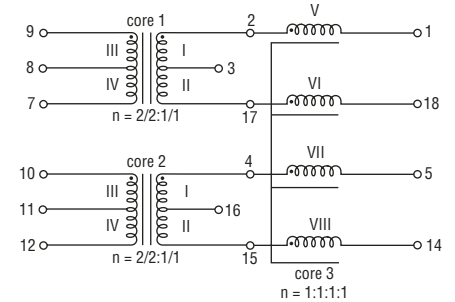


BOTTOM VIEW

DIMENSIONS ARE:  $\frac{\text{MM}}{\text{(INCHES)}}$

TOLERANCE: ±  $\frac{0.2}{(.008)}$

### Electrical Schematic



### How to Order

